

DESIGN DATA

NORTRONICS
AUDIO HEADS

MEF Full Track Erase



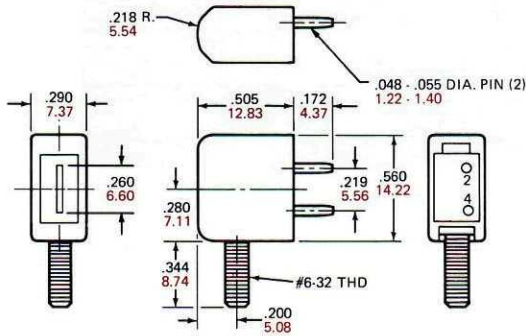
PHYSICAL CONFIGURATIONS

NOTE:
INCHES IN BLACK
MILLIMETERS IN COLOR

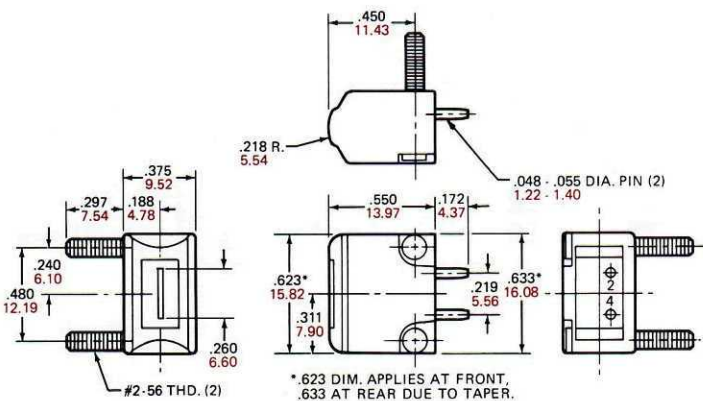
ELECTRICAL	MODEL NUMBER			
	MEF 1	MEF 2	MEF 4	MEF 9
Inductance - 1 kHz - millihenrys	40	.085	4	2.5
Resistance, D.C., ohms	88	1.3	20	17
Track Width, inches	.260	.260	.260	.260
Gap Length, Double Gap, each	.003	.003	.003	.003
Typical characteristics for 60 dB erasure of a 400 Hz saturated signal on 3M150 tape				
Erase Voltage - 60 kHz, volts	120	7	40	32
Erase Current, ma	12	300	40	50
Impedance - 60 kHz, ohms	12,000	17	810	600

NOTE:
Basic head available in "B" size case also, see page 40

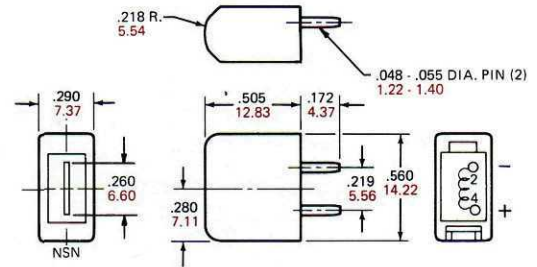
HEAD WITH BASE MOUNT CONFIGURATION SPECIFY: SMEF__-B3



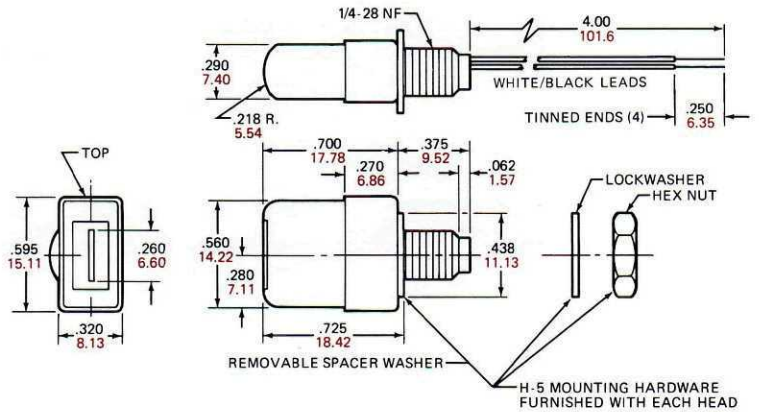
HEAD WITH SIDE MOUNT CONFIGURATION SPECIFY: LMEF__-S23



BASIC HEAD CONFIGURATION - NO MOUNT SPECIFY: SMEF__-N9



HEAD WITH REAR MOUNT CONFIGURATION SPECIFY: LMEF__-R-4U UNSHIELDED LEADS



HEAD WITH REAR MOUNT CONFIGURATION SPECIFY: SMEF__-R-12S SHIELDED LEADS

