



Miniature Type "L" Head R/P & Erase

0.024" OR 0.042" SINGLE CHANNEL
FLUSH OR RELIEVED FACE

R/P DATA

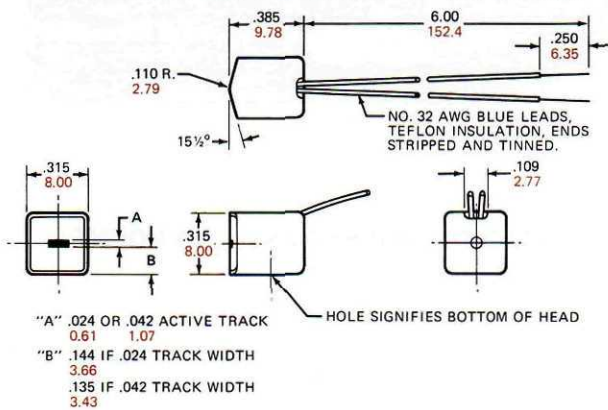
ELECTRICAL	MODEL NUMBER				
	L42R 3K 3K5	L42R 5K 5K5	L42R 8L 8L5	L24R 2K 2K5	L24R 8L 8L5
Head Function (Typical)	Record/ Playback	Record/ Playback	Record/ Playback	Record/ Playback	Record/ Playback
Inductance - 1 kHz, millihenrys	250	220	80	200	40
Impedance - 1 kHz, ohms	1600	1600	500	1200	250
Resistance, D.C. Mono, ohms	460	250	125	465	130
Gap Length, microinches	100	100	160	100	160
Track Width, inches	.042	.042	.042	.024	.024
Average 7.5 IPS constant current record/playback characteristics using 3M150 tape peak biased @ 1 kHz and recorded 12 dB below tape saturation					
Peak Bias Current, 60 kHz, ma	.23	.40	.4	.23	.45
Bias Voltage, RMS, 60 kHz, volts	24	25	9	15	5.5
Record Current, microamps	30	30	40	25	45
1 kHz Output, millivolts	1.0	1.0	1.0	1.1	.5
10 kHz/1 kHz Ratio, dB	0	0	+2	+2	+2

ERASE DATA

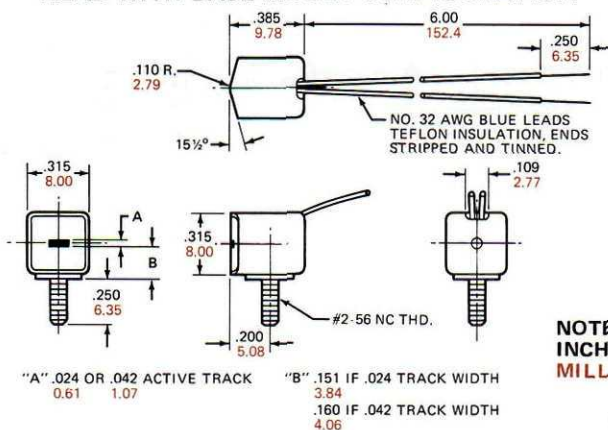
ELECTRICAL	MODEL NUMBER
	L42E 6U 6U5
Inductance @ 1 kHz, millihenrys	5
Resistance, D.C., ohms	40
Track Width, inches	.042
Typical operating characteristics for 60 dB erasure of saturated 400 CPS	
Erase Voltage @ 60 kHz, volts	32-48
Erase Current, ma, 60 kHz	28-42
Impedance @ 60 kHz, ohms	1200

PHYSICAL CONFIGURATIONS

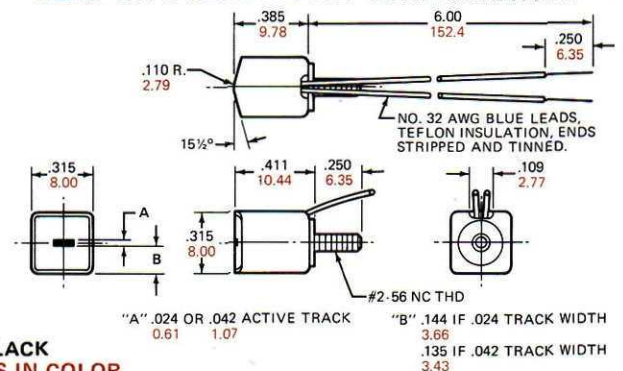
BASIC HEAD CONFIGURATION - NO MOUNT



HEAD WITH BASE MOUNT CONFIGURATION



HEAD WITH REAR MOUNT CONFIGURATION



NOTE:
INCHES IN BLACK
MILLIMETERS IN COLOR

FACE-RELIEF OPTION:

TYPE "L" HEADS ALSO AVAILABLE WITH RELIEVED FACE OPTION. SEE DETAIL. SPECIFY #5 AFTER GAP DESIGNATOR; EXAMPLE:

L42R3K IS FLUSH FACE
L42R3K5 IS RELIEVED FACE

